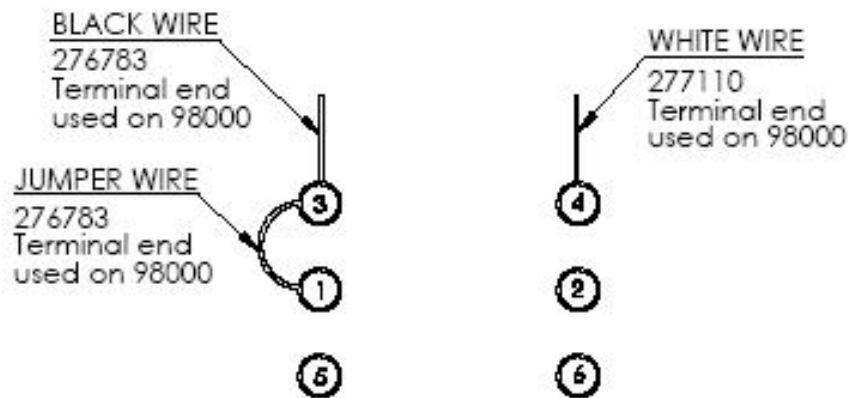
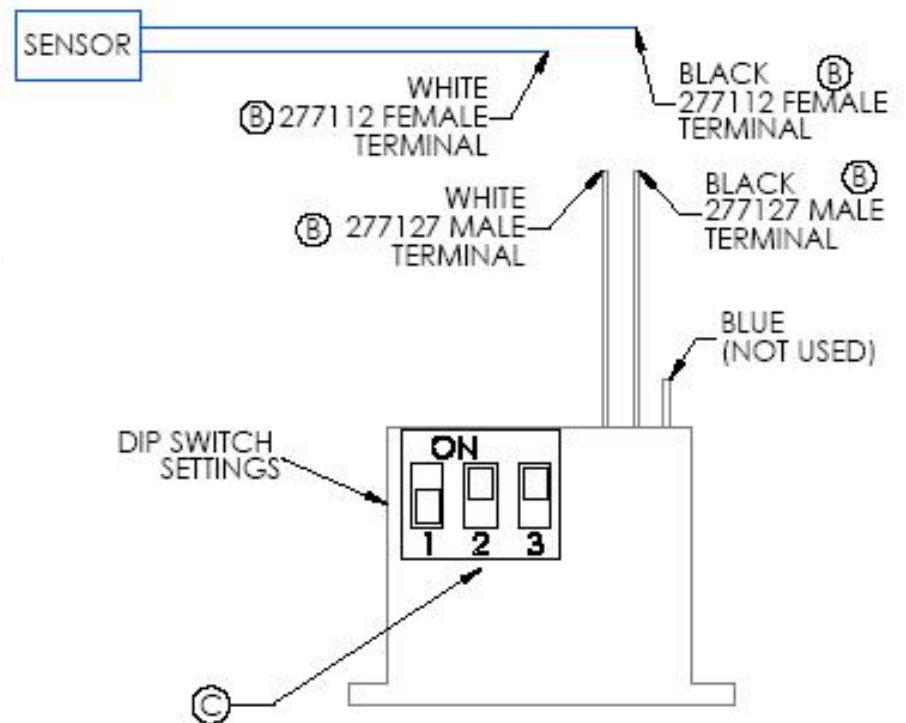


3744 Jefferson Rd., Ashtabula, OH 44005
 DESCRIPTION:
 SAFETY ADAPTER w/ COUNTER
 PART NO. 13964

ITEM NO.	PART NUMBER	DESCRIPTION	QTY
1	21389	SAFETY ADAPTER ASSEMBLY	1
2	701061	ELECTRONIC COUNTER ASSEMBLY	1



(A) WIRE DIAGRAM FOR CUB70000
DIGITAL COUNTER

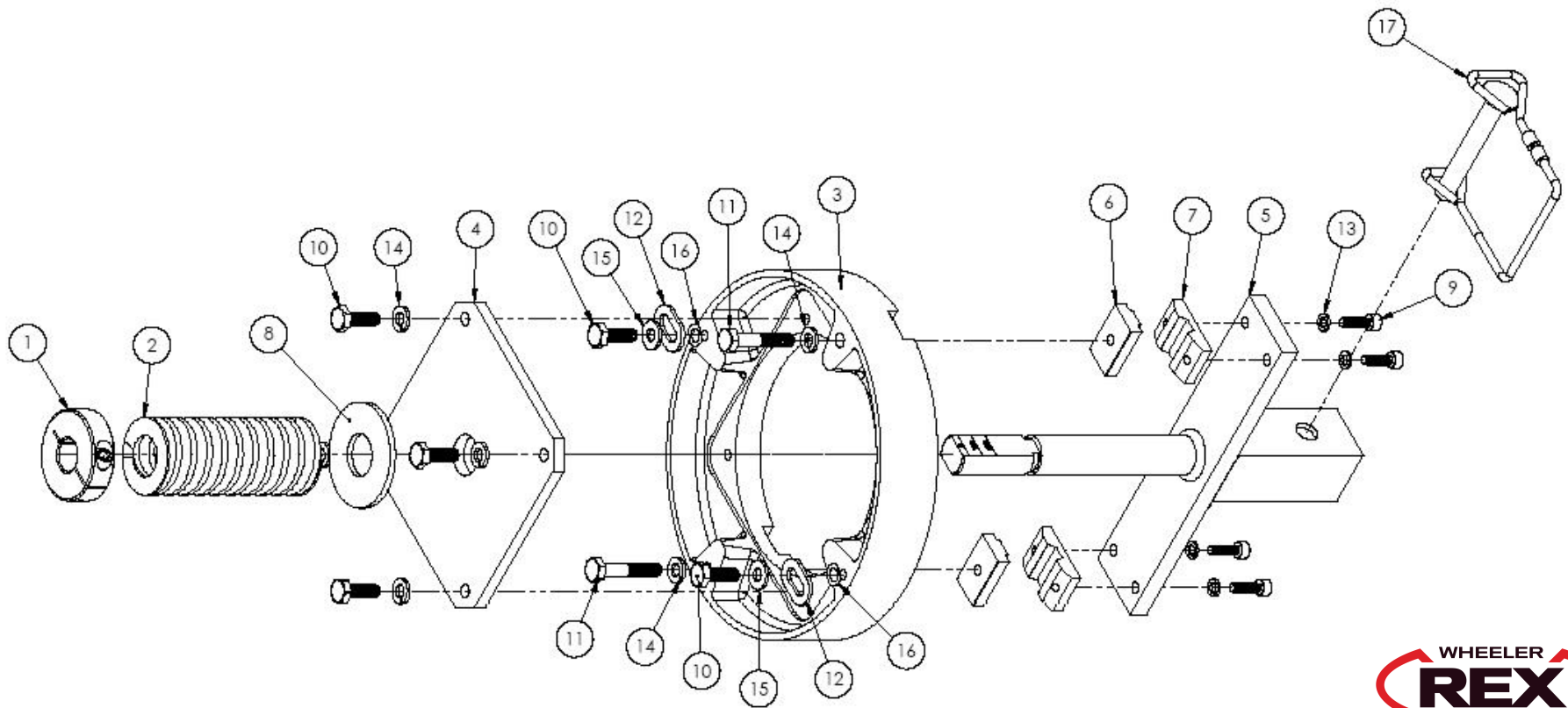


WIRE DIAGRAM FOR CUB7CCS0
DIGITAL COUNTER



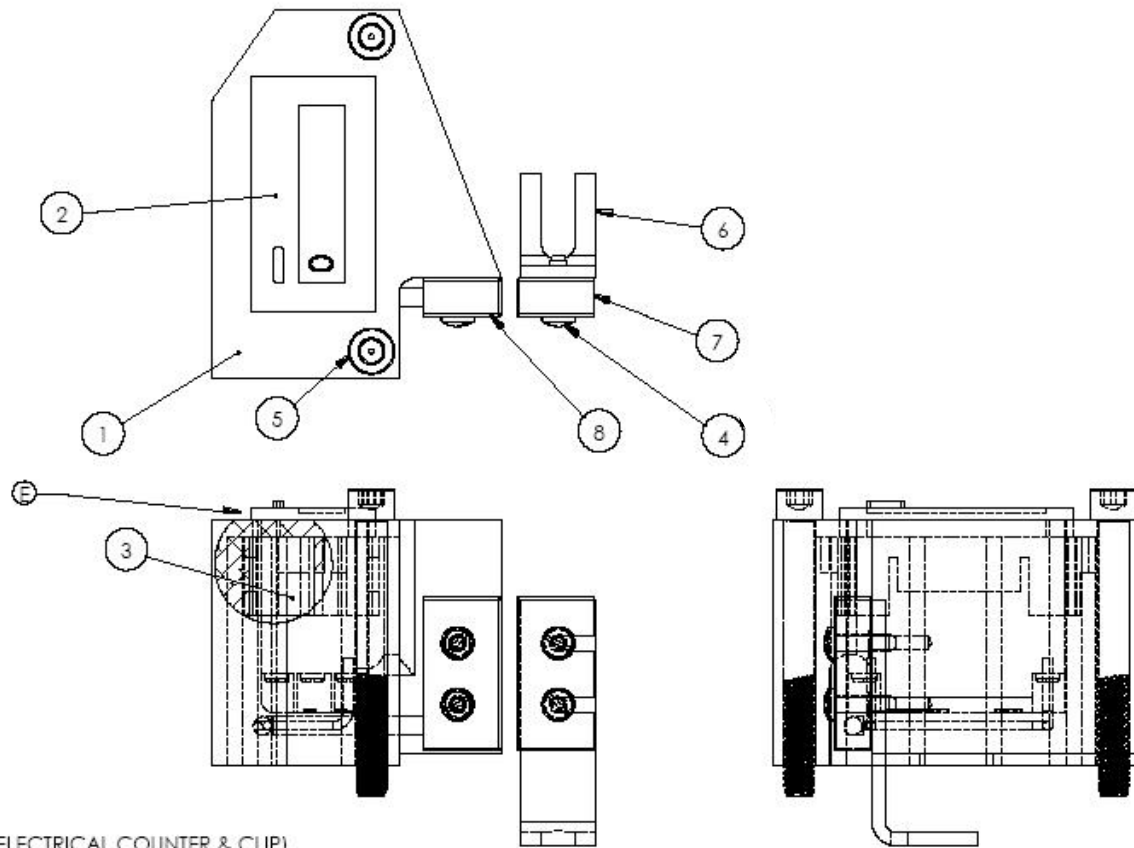
3744 Jefferson Rd., Ashtabula, OH 44005

DESCRIPTION:
DIGITAL COUNTER WIRE DIAGRAM
PART NO.
276303 WIRE DIAGRAM



3744 Jefferson Rd., Ashtabula, OH 44005
 DESCRIPTION:
 SAFETY ADAPTER ASSEMBLY
 PART NO 21389

ITEM NO.	PART NUMBER	DESCRIPTION	QTY
1	12952	ADJUSTING NUT	1
2	15575	SPRING	1
3	700984	ADAPTER MACHINED	1
4	700997	ADAPTER PLATE	1
5	13965	SQUARE DRIVE	1
6	12948	PAWL	2
7	12949	RATCHET DOG	2
8	276129	3/4 WASHER	1
9	275070	#10-24 x 5/8" SHCS	4
10	560081	1/4-20 x 3/4" HHCS	6
11	276819	1/4-20 x 1 3/8" HHCS	2
12	11274	FINGER LOCK WASHER	2
13	275104	#10 SPLIT LOCK WASHER	4
14	275105	1/4" SPLIT LOCK WASHER	6
15	10713	3/16" FLAT WASHER	2
16	5306	SPRING WASHER	2
17	276093	COTTERLESS HITCH PIN	1



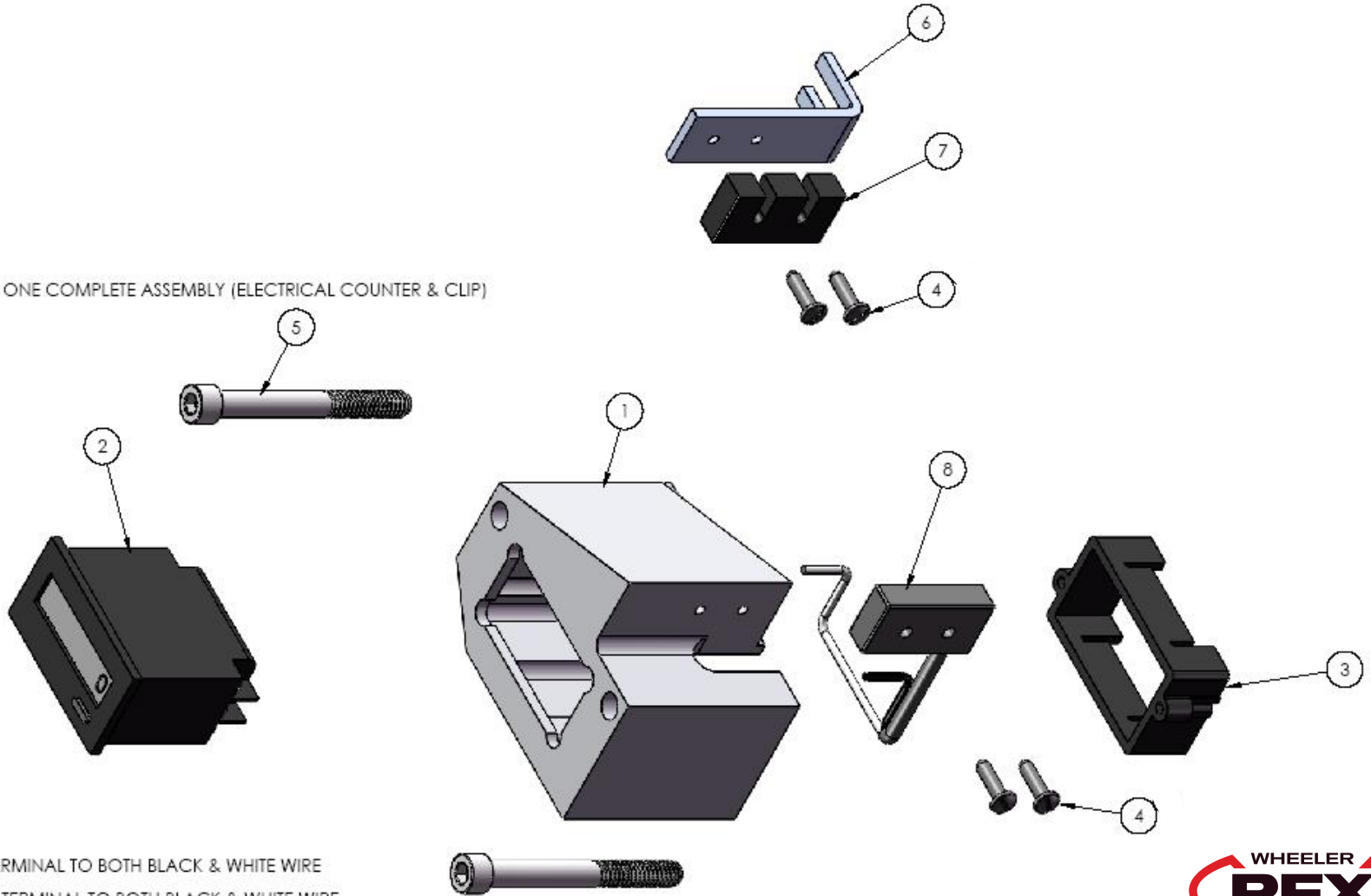
NOTE: ITEM NUMBERS 2 & 4 ARE ONE COMPLETE ASSEMBLY (ELECTRICAL COUNTER & CLIP)



3744 Jefferson Rd., Ashtabula, OH 44005
 DESCRIPTION:
 ELECTRONIC COUNTER ASSY.
 PART NO. 701061

ITEM NO.	PART NUMBER	DESCRIPTION	QTY
1	700982	ELECTRICAL COUNTER BRACKET	1
2	276303	ELECTRICAL COUNTER	1
3	276303-1	CLIP	1
4	275703	#6-32 x 1/2" PAN HEAD MACHINE SCREW	4
5	275280	1/4-20 x 2 1/2" LONG SHCS	2
6	700988	MAGNET BRACKET	1
7	276302	MAGNET	1
8	276301	SENSOR	1
9	560081	1/4-20 x 3/4" HHCS	1
10	277127	MALE TERMINAL **(NOT SHOWN)**	2
11	277112	FEMALE TERMINAL **(NOT SHOWN)**	2

NOTE: ITEM NUMBERS 2 & 4 ARE ONE COMPLETE ASSEMBLY (ELECTRICAL COUNTER & CLIP)



NOTE:
CONNECT 277127 MALE TERMINAL TO BOTH BLACK & WHITE WIRE
ON DIGITAL COUNTER
CONNECT 277112 FEMALE TERMINAL TO BOTH BLACK & WHITE WIRE
ON SENSOR
SEE PRINT # 276303 FOR WIRE DIAGRAM SPECS



3744 Jefferson Rd., Ashtabula, OH 44005
DESCRIPTION:
ELECTRONIC COUNTER ASSY.
PART NO. 701061

ITEM NO.	PART NUMBER	DESCRIPTION	QTY
1	700982	ELECTRICAL COUNTER BRACKET	1
2	276303	ELECTRICAL COUNTER	1
3	276303-1	CLIP	1
4	275703	#6-32 x 1/2" PAN HEAD MACHINE SCREW	4
5	275280	1/4-20 x 2 1/2" LONG SHCS	2
6	700988	MAGNET BRACKET	1
7	276302	MAGNET	1
8	276301	SENER	1
9	560081	1/4-20 x 3/4" HHCS	1
10	277127	MALE TERMINAL **(NOT SHOWN)**	2
11	277112	FEMALE TERMINAL **(NOT SHOWN)**	2